

---

Ultima *“E Class”*



**Ultima *“E Class”***



---

WQ *“Designing the Future”*

## Evolution

### Key Design Elements Were:

- ◆ “Skeleton” Frame
- ◆ Simultaneous Development of Rolled Section Profile and Corner Joint
- ◆ Design excellence in Doors, Panels, Locks, Hinges and Fixings
- ◆ An extensive Accessory range

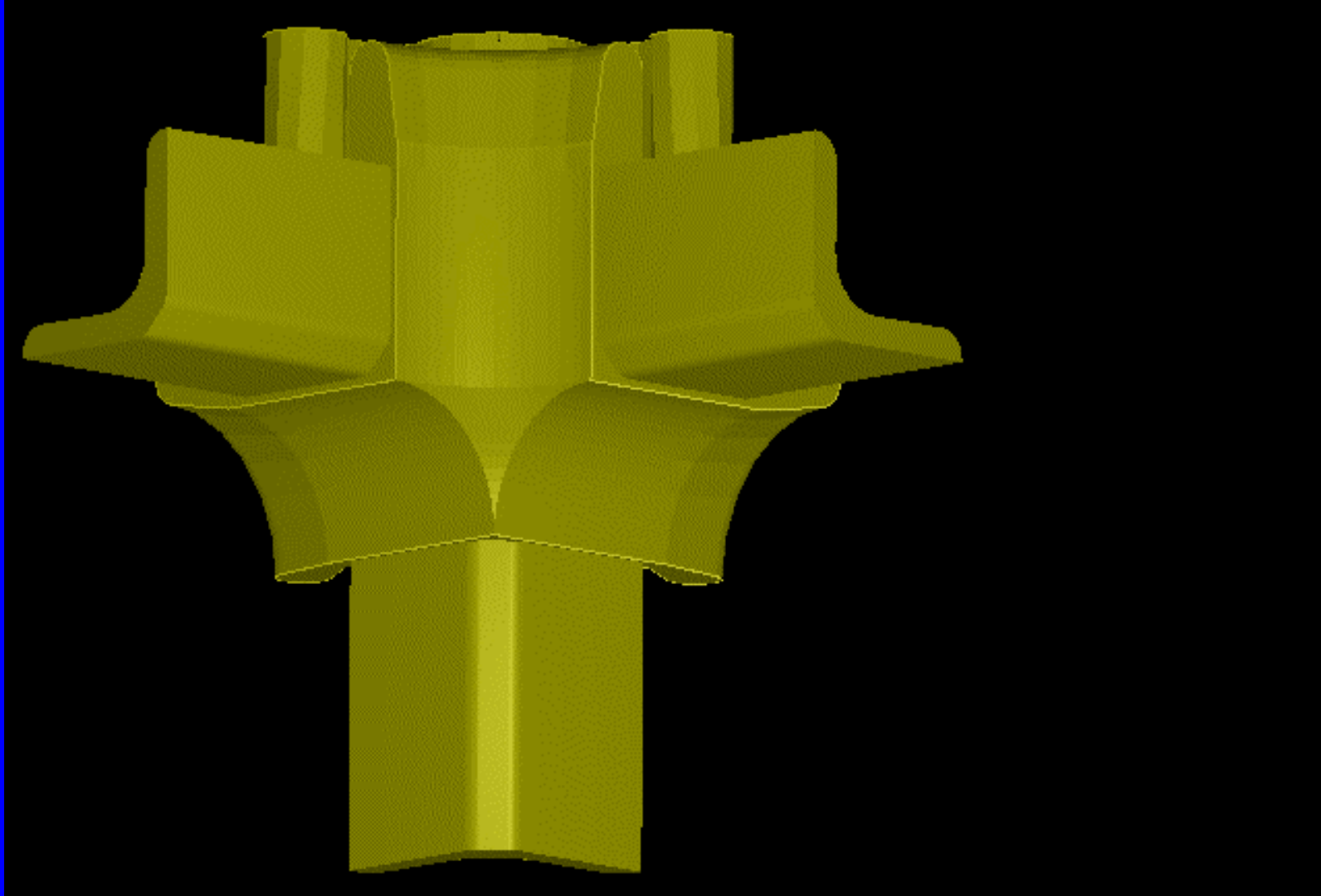
## The Frame

### Corner Joint Options

Our Options were:

- ◆ Fabricated Versions
- ◆ Plastic Moulding
- ◆ Aluminium/Zinc Die Casting
- ◆ Mixture of Fabricated and Die Casting

# Castings

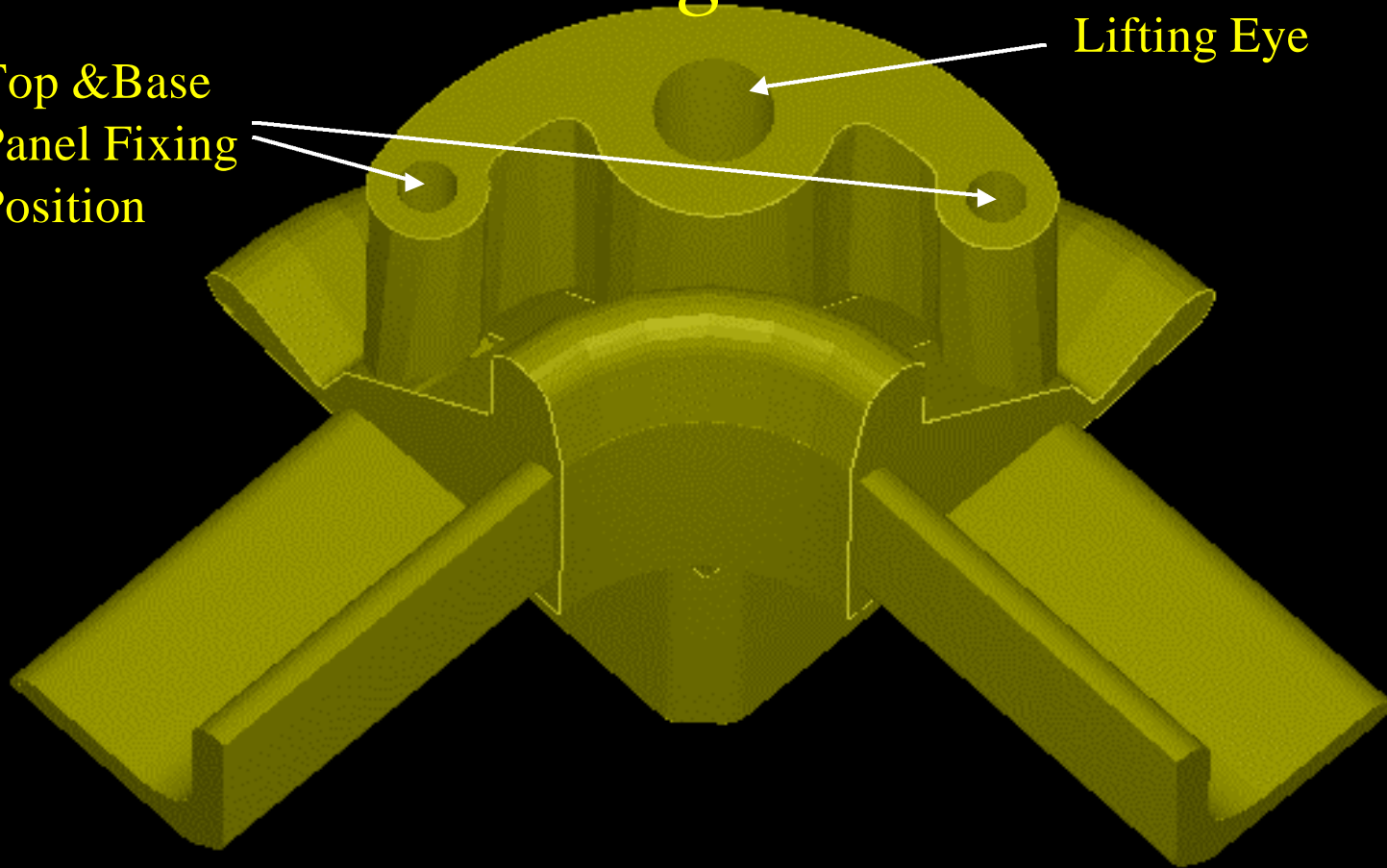


# Corner Joint

## Zinc Die Casting

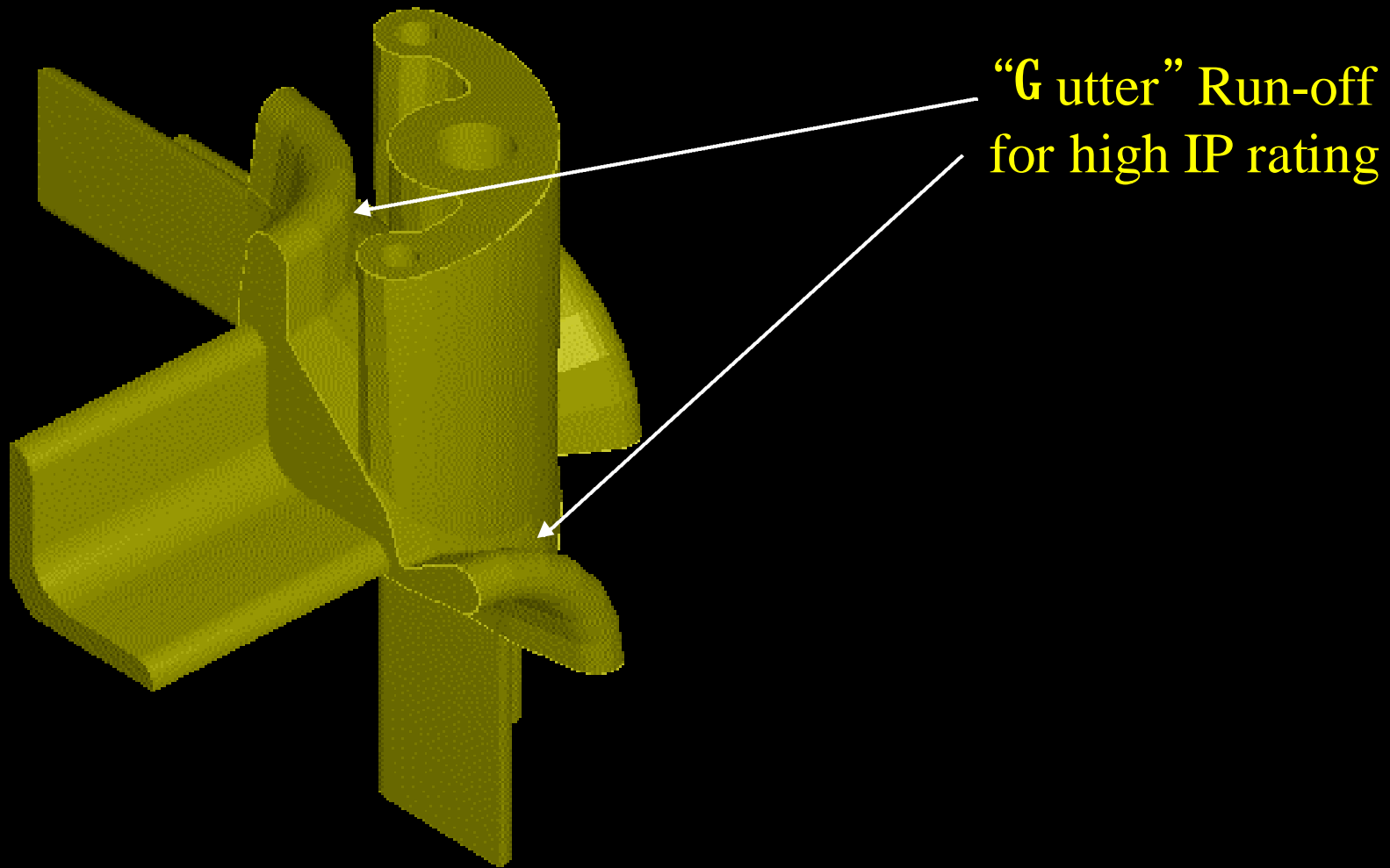
Top & Base  
Panel Fixing  
Position

Lifting Eye



---

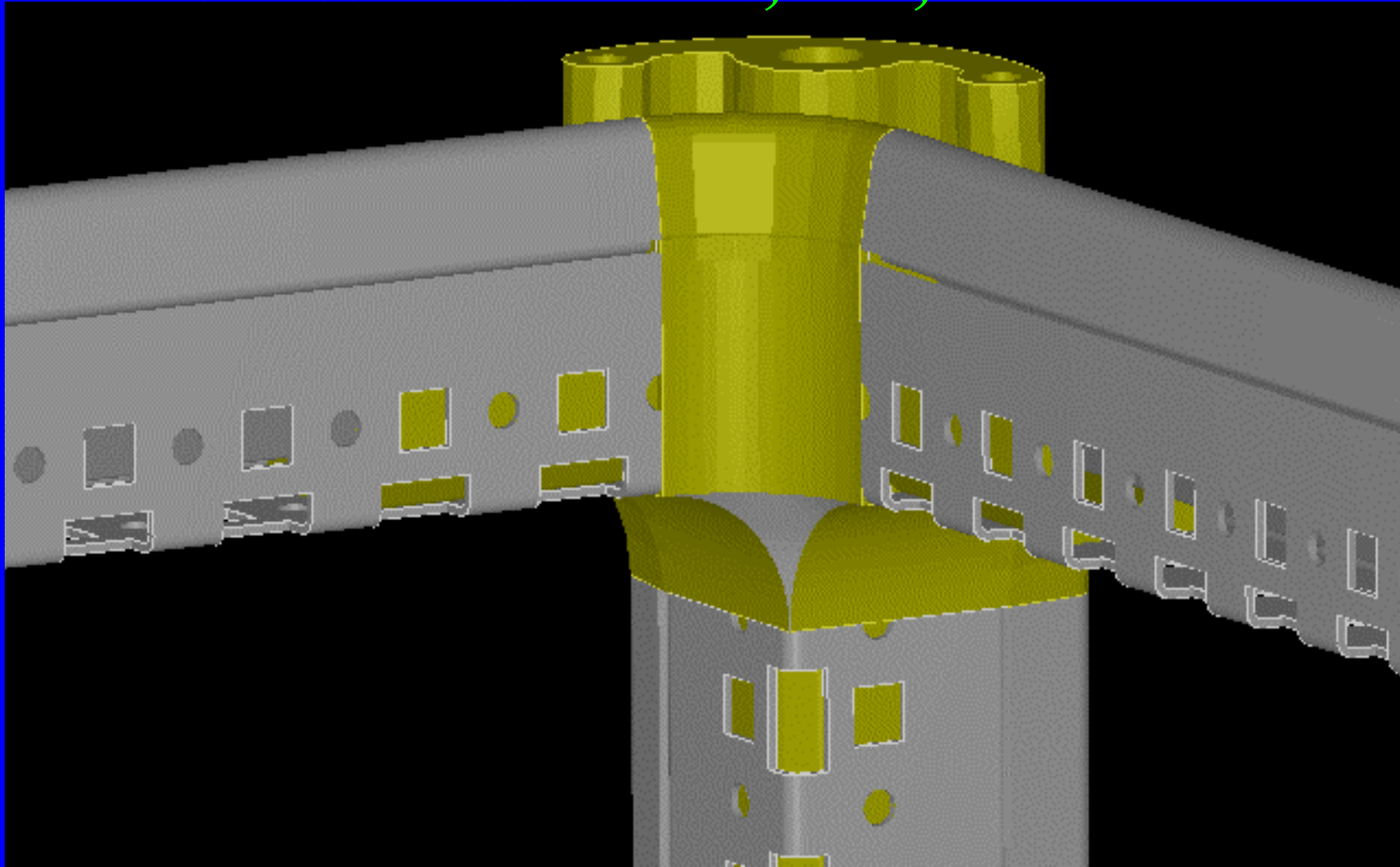
Ultima "E Class"



# Frame Section Profile

Ultima "E Class"

Roll Formed - Material *IZ, Galv, Stainless*

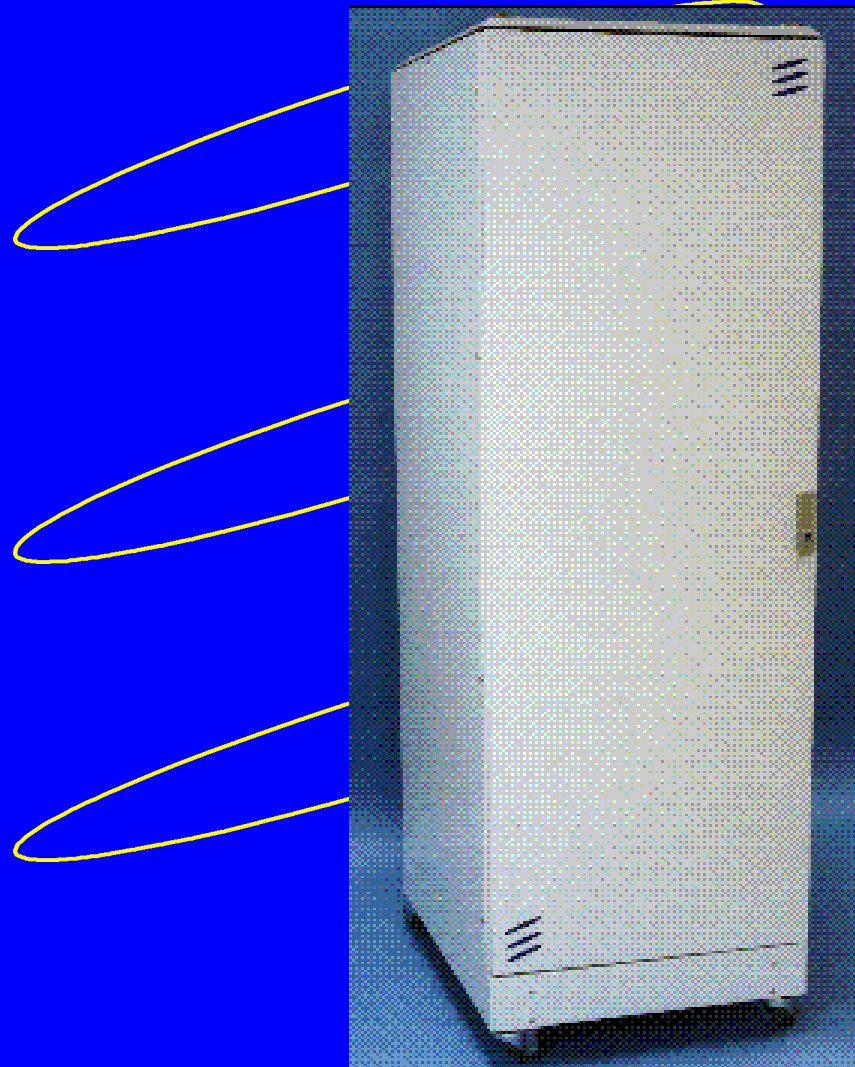


WQ "Designing the Future"

---

Ultima *“E Class”*

# *“E Class”* The Product



---

WQ *“Designing the Future”*



# The Frame

## Construction

### High Strength capability

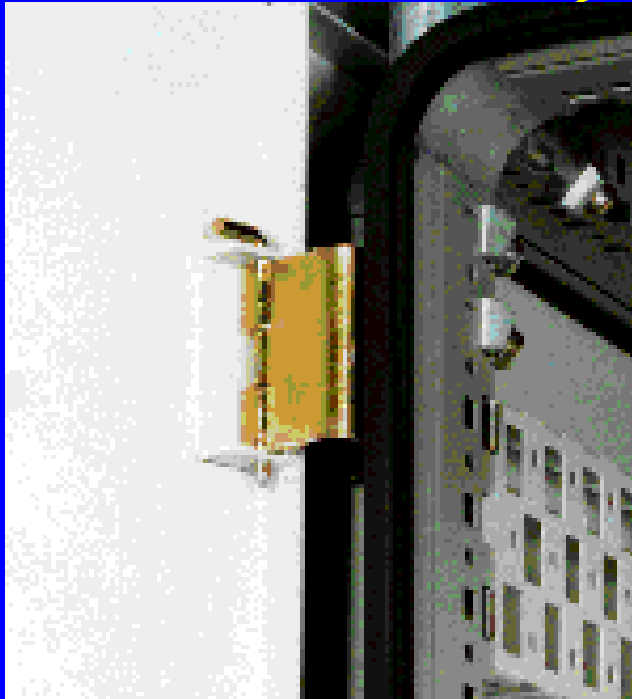
- min 750kg weight load
- 25+ year life in extreme environments
- shock and vibration resistant
- common frame for IP and EMC/IP versions
- rapid assembly
- choice of materials
- allows height, width & depth modifications

# Locks

- die cast
- easy open & shut action
- multi point locking
- various key options
- combined lock and handle



# Hinges



- Simple location
- Variable fixing positions
- Upgraded version for "heavy" doors
- quick & easy removal of doors