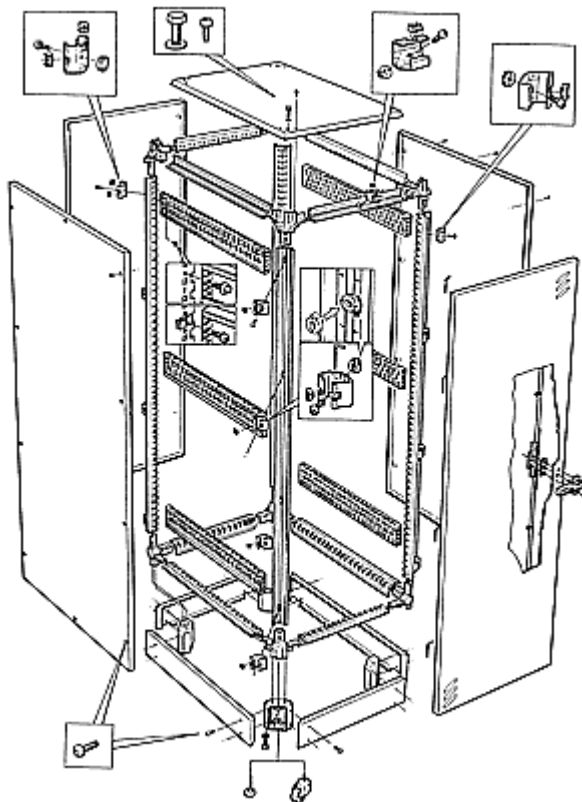
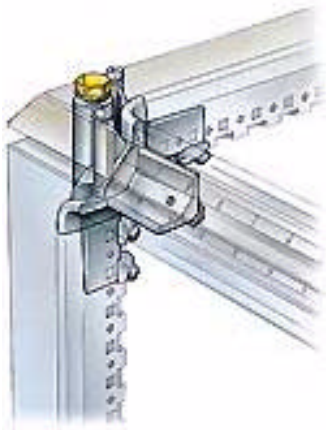


Ultima ‘E Class’

Ultima ‘E Class’ is a new generation of enclosure, providing a high integrity environmental enclosure for industrial as well as office environments

‘E Class’ features **IP55** or **IP66** sealing and an **EMC/IP55** option. It has also passed severe shock and vibration tests.



Features :

- 1.8m, 2.0m and 2.2m heights
- 600mm and 800mm deep
- Custom versions available
- 600mm, 800mm and 1200mm widths available as standard
- 19” angles
- Plinth
- Electrical Panels
- Glazed Doors
- Shelves
- Castors
- Jacking Feet
- Lifting eyes
- Gland Plates
- Air Management

WQ Ultima E-Class Lift Test

Test carried out by Mr. N Barry
United Crane Services
(Mark Priest Ltd.) Bristol

Supervised by Mr. C M Wright
Willsher & Quick Ltd.

Enclosure Tested 2000x600x600 with side panels,
Top panel and front & rear doors.

Method

A sling was attached to a tubular fixture, which was placed directly onto the bottom frame members of the enclosure. A sling was then attached to the fixture and to a load of 1,400 kg. The enclosure was lifted 40mm off the ground and moved 5 metres. This method was repeated with the load increasing to 2,400 kg in steps of 100 kg.

Results

1,400 to 2,000 kg no deformation observed.
2,200 kg very slight deformation at bottom front joint.
2,400 kg slight deformation at front bottom joint with a gap of 1.8mm between the bottom edge of the vertical frame and the casting.

